

9013FSG2J21

water pump switch, 9013FSG, adjustable differential, 30 to 50 psi, 1 HP

Product availability : Stock - Normally stocked in distribution facility



Price** : 21.40 USD



9013FSG2J21 has not been replaced. Please contact your customer care center for more information.

Main

| | |
|------------------------------|------------------------------------------------------|
| Range of product | Square D Pumptrol |
| Pressure sensor name | 9013FS |
| Pressure sensor size | 448.16 kPa (65 psi) 34.47...310.26 kPa (5...45 psi)) |
| Value of setting | 30...50 psi |
| Electrical circuit type | Power circuit |
| Product specific application | Control electrically driven water pumps |
| Quantity per set | 1 |
| Type of packing | Individual |

Complementary

| | |
|-------------------------------------|-----------------------------------------------------------------------------|
| Pressure sensor type | Electromechanical pressure switch |
| Controlled fluid | Fresh water -30...125 °C (-22...257 °F)) |
| Adjustable range on rising pressure | 137.90...448.16 kPa (20...65 psi) |
| Approximate adjustable differential | 103.42...206.84 kPa (15...30 psi) |
| Destruction pressure | 1516.85 kPa (220 psi) |
| Pressure actuator | Diaphragm |
| Pressure switch type of operation | Regulation between 2 thresholds |
| Scale type | Adjustable differential |
| Setting | Internal |
| Local display | Without |
| Contacts type and composition | 2 NC, snap action, DPST-DB, Form YY |
| Cable entry number | 2 22.35 mm (0.88 in) cable entries with 0.84 in across flats UL 508 |
| Electrical connection | Screw-clamp terminals 10 AWG Screw-clamp terminals 5.261 mm ² |
| Fluid connection type | 0.25 inch NPSF internal UL 508 |
| Short-circuit protection | 20 A cartridge fuse gG |

| | |
|---------------------------------|--------------------------------------------------------------------------------------------------------------------------------------------------------------------------------------------------------|
| Materials in contact with fluid | Zinc plated steel or equivalent flange Nitrile (Buna-N) or equivalent rubber diaphragm |
| Material | Polypropylene cover Noryl thermoplastic resin or equivalent cover |
| Operating position | Any position |
| Motor power kW | 1.5 kW 2 hp)230 V AC, 1 phase 1.1 kW 1.5 hp)115 V AC, 1 phase 1.5 kW 2 hp)115 V AC, 3 phase 2.2 kW 3 hp)230 V AC, 3 phase 0.75 kW 1 hp)460 V AC, 3 phase 0.75 kW 1 hp)575 V AC, 3 phase |
| Electrical durability | 100000 cycles 10 cyc/mn |
| Mechanical durability | 300000 cycles |
| Terminal block type | 4 terminals |
| Maximum operating rate | 10 cyc/mn |
| [U] rated insulation voltage | 575 V UL 508 |
| Net weight | 0.45 kg (1 lb(US)) |
| Repeat accuracy | +/- 3 % |
| Terminals description ISO n°1 | L1-T1 L2-T2 |
| Width | 70.61 mm (2.78 in) |
| Height | 71.12 mm (2.8 in) |
| Depth | 95.50 mm (3.76 in) |
| Factory modification | - |

Environment

| | |
|---------------------------------------|-------------------------------------------|
| Standards | NSF ANSI 61 Annex G CE UL 508 |
| Ambient air temperature for operation | -36...125 °C (-33...257 °F) |
| Ambient air temperature for storage | -36...125 °C (-33...257 °F) |
| Protective treatment | None |
| NEMA degree of protection | NEMA 1 UL 50 |
| IP degree of protection | IP20 IEC 60529 |
| Product certifications | UL listed file E12158 CSA file LR25490 |

Ordering and shipping details

| | |
|---------------------|------------------------------------------|
| Category | 21534 - 9013 FSG,FYG (INDIVIDUAL - CP7I) |
| Discount Schedule | CP7I |
| GTIN | 00785901077213 |
| Package weight(Lbs) | 0.36 kg (0.8 lb(US)) |
| Returnability | Yes |
| Country of origin | MX |

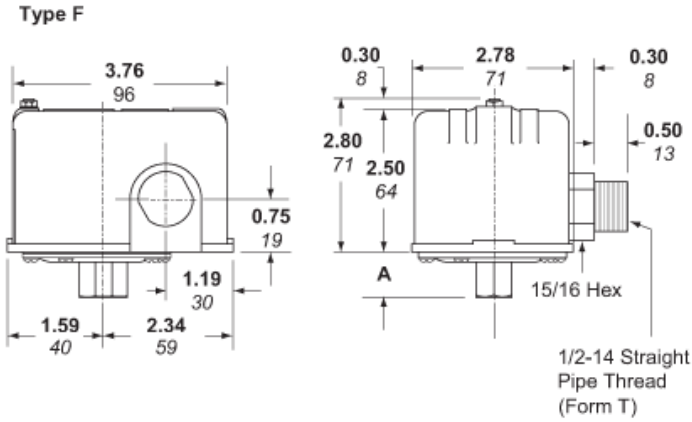
Offer Sustainability

| | |
|----------------------------|--------------------------------------------------------------------------------------------------------------------------------------------------------------------------------------------------------------------------------------------------------------------------------------------------------------|
| Sustainable offer status | Green Premium product |
| California proposition 65 | WARNING: This product can expose you to chemicals including: Di-isodecyl phthalate (DIDP) and Diisononyl phthalate (DINP) which is known to the State of California to cause Carcinogen and Reproductive harm. For more information go to www.p65warnings.ca.gov |
| REACH Regulation | REACH Declaration |
| EU RoHS Directive | Pro-active compliance (Product out of EU RoHS legal scope) EU RoHS Declaration |
| Mercury free | Yes |
| RoHS exemption information | Yes |
| Environmental Disclosure | Product Environmental Profile |

Contractual warranty

| | |
|----------|-----------|
| Warranty | 18 months |
|----------|-----------|

Approximate Dimensions



| Switch Type | A Dimension | | in. mm |
|--------------------------------------------|-------------|----|-----------|
| | in. | mm | |
| FSG1, FYG1 | 1-1/32 | 26 | |
| FHG2, 12, 22, 32, 42, 52, FRG2, FSG2, FYG2 | 29/32 | 23 | |
| FHG3, 13, 33, FRG3, FSG3, FYG3 | 1-9/32 | 33 | |
| FHG9, 19, 29, 39, 49, 59, FSG9, FYG9 | 1-3/32 | 28 | |